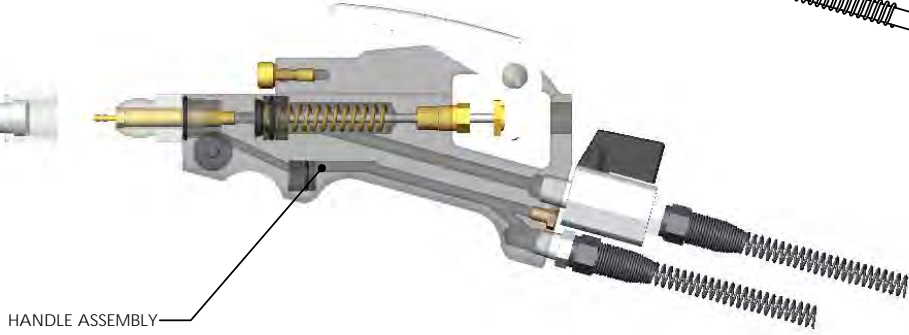
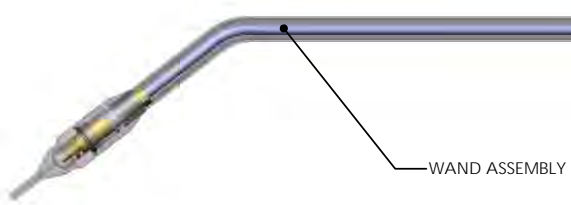
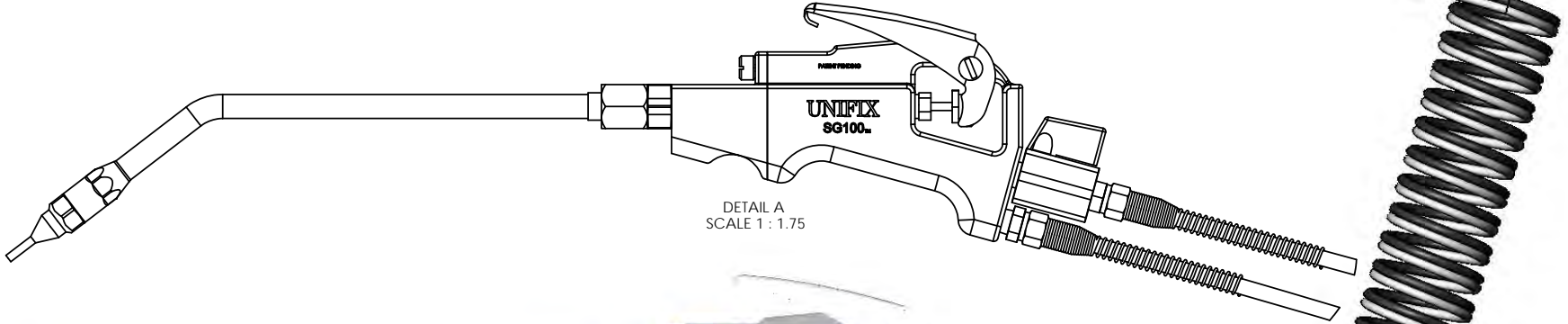
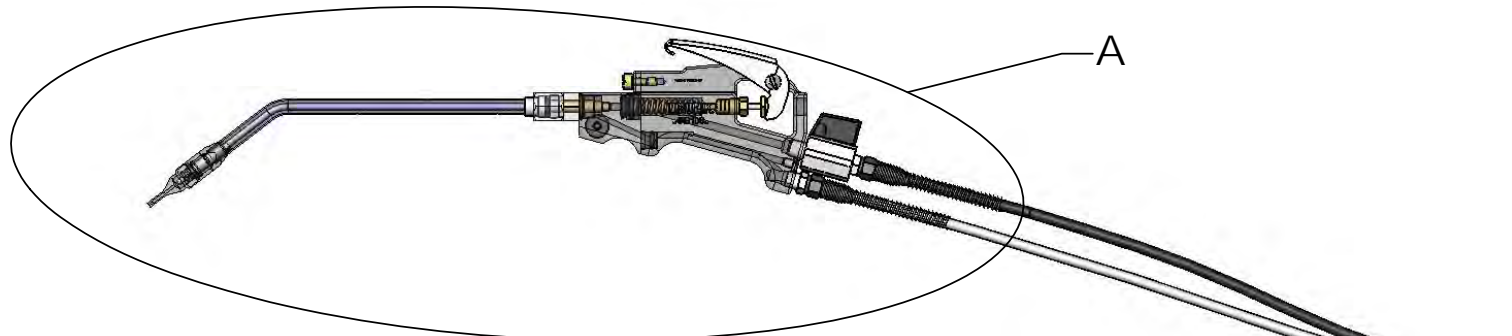


REVISIONS				
ZONE	REV.	DESCRIPTION	DATE	APPROVED
ALL	1.0	ORIGINAL	8-24-07	DJB

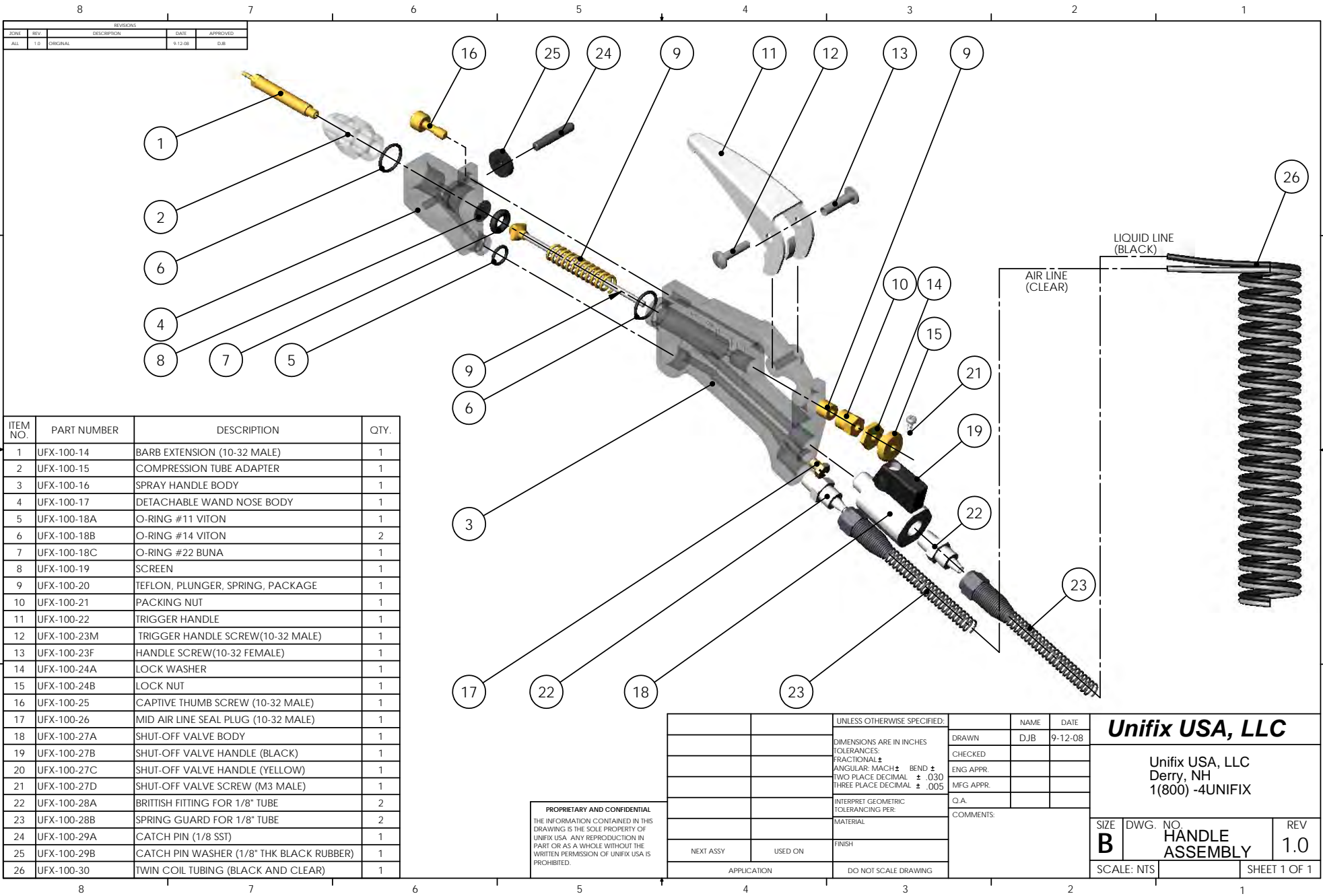


**PROPRIETARY AND CONFIDENTIAL**  
 THE INFORMATION CONTAINED IN THIS DRAWING IS THE SOLE PROPERTY OF UNIFIX USA. ANY REPRODUCTION IN PART OR AS A WHOLE WITHOUT THE WRITTEN PERMISSION OF UNIFIX USA IS PROHIBITED.

		UNLESS OTHERWISE SPECIFIED:	NAME	DATE
		DIMENSIONS ARE IN INCHES	DRAWN	DJB
		TOLERANCES:	CHECKED	9-12-08
		FRACTIONAL ±	ENG APPR.	
		ANGULAR: MACH ± BEND ±	MFG APPR.	
		TWO PLACE DECIMAL ± .030	Q.A.	
		THREE PLACE DECIMAL ± .005	COMMENTS:	
		INTERPRET GEOMETRIC TOLERANCING PER:		
		MATERIAL:		
		FINISH:		
NEXT ASSY	USED ON			
		APPLICATION		
		DO NOT SCALE DRAWING		

**Unifix USA, LLC**  
 Unifix USA, LLC  
 Derry, NH  
 1(800) -4UNIFIX

SIZE	DWG. NO.	REV
<b>B</b>	<b>SPRAY HANDLE ASSEMBLY</b>	<b>1.0</b>
SCALE: NTS	SHEET 1 OF 1	



REVISIONS				
ZONE	REV.	DESCRIPTION	DATE	APPROVED
ALL	1.0	ORIGINAL	9-12-08	DJB

ITEM NO.	PART NUMBER	DESCRIPTION	QTY.
1	UFX-100-14	BARB EXTENSION (10-32 MALE)	1
2	UFX-100-15	COMPRESSION TUBE ADAPTER	1
3	UFX-100-16	SPRAY HANDLE BODY	1
4	UFX-100-17	DETACHABLE WAND NOSE BODY	1
5	UFX-100-18A	O-RING #11 VITON	1
6	UFX-100-18B	O-RING #14 VITON	2
7	UFX-100-18C	O-RING #22 BUNA	1
8	UFX-100-19	SCREEN	1
9	UFX-100-20	TEFLON, PLUNGER, SPRING, PACKAGE	1
10	UFX-100-21	PACKING NUT	1
11	UFX-100-22	TRIGGER HANDLE	1
12	UFX-100-23M	TRIGGER HANDLE SCREW(10-32 MALE)	1
13	UFX-100-23F	HANDLE SCREW(10-32 FEMALE)	1
14	UFX-100-24A	LOCK WASHER	1
15	UFX-100-24B	LOCK NUT	1
16	UFX-100-25	CAPTIVE THUMB SCREW (10-32 MALE)	1
17	UFX-100-26	MID AIR LINE SEAL PLUG (10-32 MALE)	1
18	UFX-100-27A	SHUT-OFF VALVE BODY	1
19	UFX-100-27B	SHUT-OFF VALVE HANDLE (BLACK)	1
20	UFX-100-27C	SHUT-OFF VALVE HANDLE (YELLOW)	1
21	UFX-100-27D	SHUT-OFF VALVE SCREW (M3 MALE)	1
22	UFX-100-28A	BRITISH FITTING FOR 1/8" TUBE	2
23	UFX-100-28B	SPRING GUARD FOR 1/8" TUBE	2
24	UFX-100-29A	CATCH PIN (1/8 SST)	1
25	UFX-100-29B	CATCH PIN WASHER (1/8" THK BLACK RUBBER)	1
26	UFX-100-30	TWIN COIL TUBING (BLACK AND CLEAR)	1

**PROPRIETARY AND CONFIDENTIAL**  
 THE INFORMATION CONTAINED IN THIS DRAWING IS THE SOLE PROPERTY OF UNIFIX USA. ANY REPRODUCTION IN PART OR AS A WHOLE WITHOUT THE WRITTEN PERMISSION OF UNIFIX USA IS PROHIBITED.

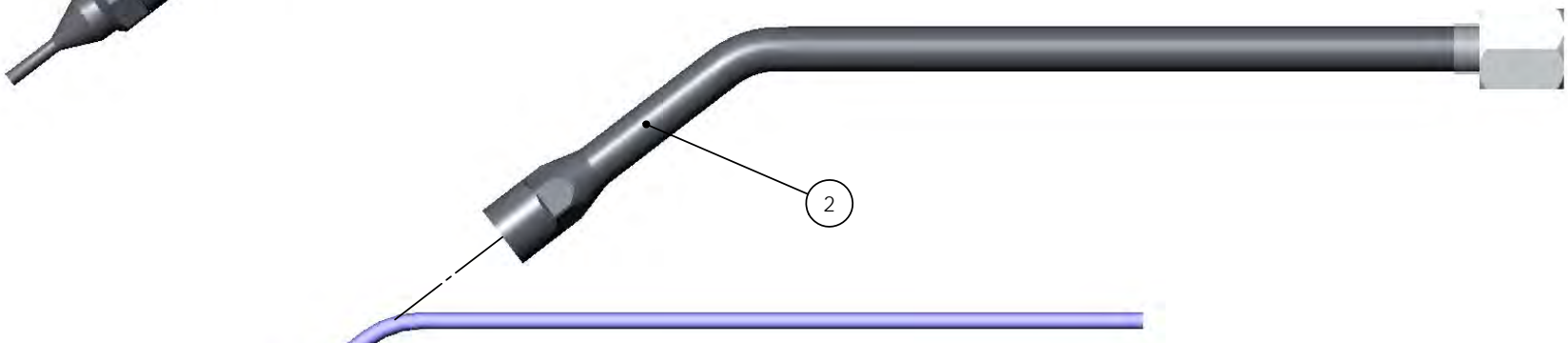
		UNLESS OTHERWISE SPECIFIED:	NAME	DATE	<b>Unifix USA, LLC</b>						
		DIMENSIONS ARE IN INCHES	DRAWN	DJB		Unifix USA, LLC Derry, NH 1(800) -4UNIFIX					
		TOLERANCES:	CHECKED								
		FRACTIONAL ±	ENG APPR.								
		ANGULAR: MACH ± BEND ±	MFG APPR.								
		TWO PLACE DECIMAL ± .030	Q.A.		<table border="1"> <tr> <td>SIZE</td> <td>DWG. NO.</td> <td>REV</td> </tr> <tr> <td><b>B</b></td> <td><b>HANDLE ASSEMBLY</b></td> <td><b>1.0</b></td> </tr> </table>	SIZE	DWG. NO.	REV	<b>B</b>	<b>HANDLE ASSEMBLY</b>	<b>1.0</b>
SIZE	DWG. NO.	REV									
<b>B</b>	<b>HANDLE ASSEMBLY</b>	<b>1.0</b>									
		THREE PLACE DECIMAL ± .005	COMMENTS:								
		INTERPRET GEOMETRIC TOLERANCING PER:									
		MATERIAL:									
		FINISH:									
NEXT ASSY	USED ON										
APPLICATION		DO NOT SCALE DRAWING									
		SCALE: NTS	SHEET 1 OF 1								

8 7 6 5 4 3 2 1

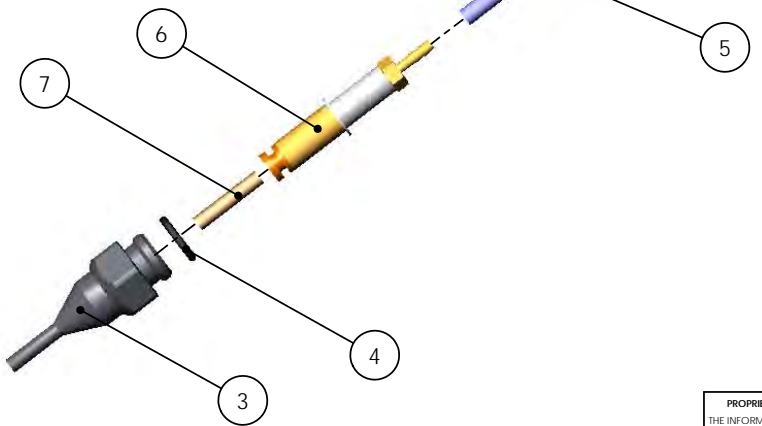
REVISIONS				
ZONE	REV.	DESCRIPTION	DATE	APPROVED
ALL	1.0	ORIGINAL	9-12-08	DJB



WAND ASSEMBLY:



EXPLODED VIEW:



ITEM NO.	PART NUMBER	DESCRIPTION	QTY.
1	UFX-100-8	17" WAND ASSEMBLY COMPLETE	1
2	UFX-100-8A	17" WAND (SST)	1
3	UFX-100-8B	WAND TIP	1
4	UFX-100-8C	WAND TIP O-RING	1
5	UFX-100-7	WAND 1/8" POLYURETHANE INTERNAL TUBING	1
6	UFX-100-5	QUICK RELEASE	1
7	UFX-100-4	RUBY JET	1

**PROPRIETARY AND CONFIDENTIAL**  
 THE INFORMATION CONTAINED IN THIS DRAWING IS THE SOLE PROPERTY OF UNIFIX USA. ANY REPRODUCTION IN PART OR AS A WHOLE WITHOUT THE WRITTEN PERMISSION OF UNIFIX USA IS PROHIBITED.

		UNLESS OTHERWISE SPECIFIED:	NAME	DATE
		DIMENSIONS ARE IN INCHES	DRAWN	DJB
		TOLERANCES	CHECKED	9-12-08
		FRACTIONAL ±	ENG APPR.	
		ANGULAR: MACH ± BEND ±	MFG APPR.	
		TWO PLACE DECIMAL ± .030	Q.A.	
		THREE PLACE DECIMAL ± .005	COMMENTS:	
		INTERPRET GEOMETRIC TOLERANCING PER:		
		MATERIAL		
		FINISH		
NEXT ASSY	USED ON			
APPLICATION		DO NOT SCALE DRAWING		

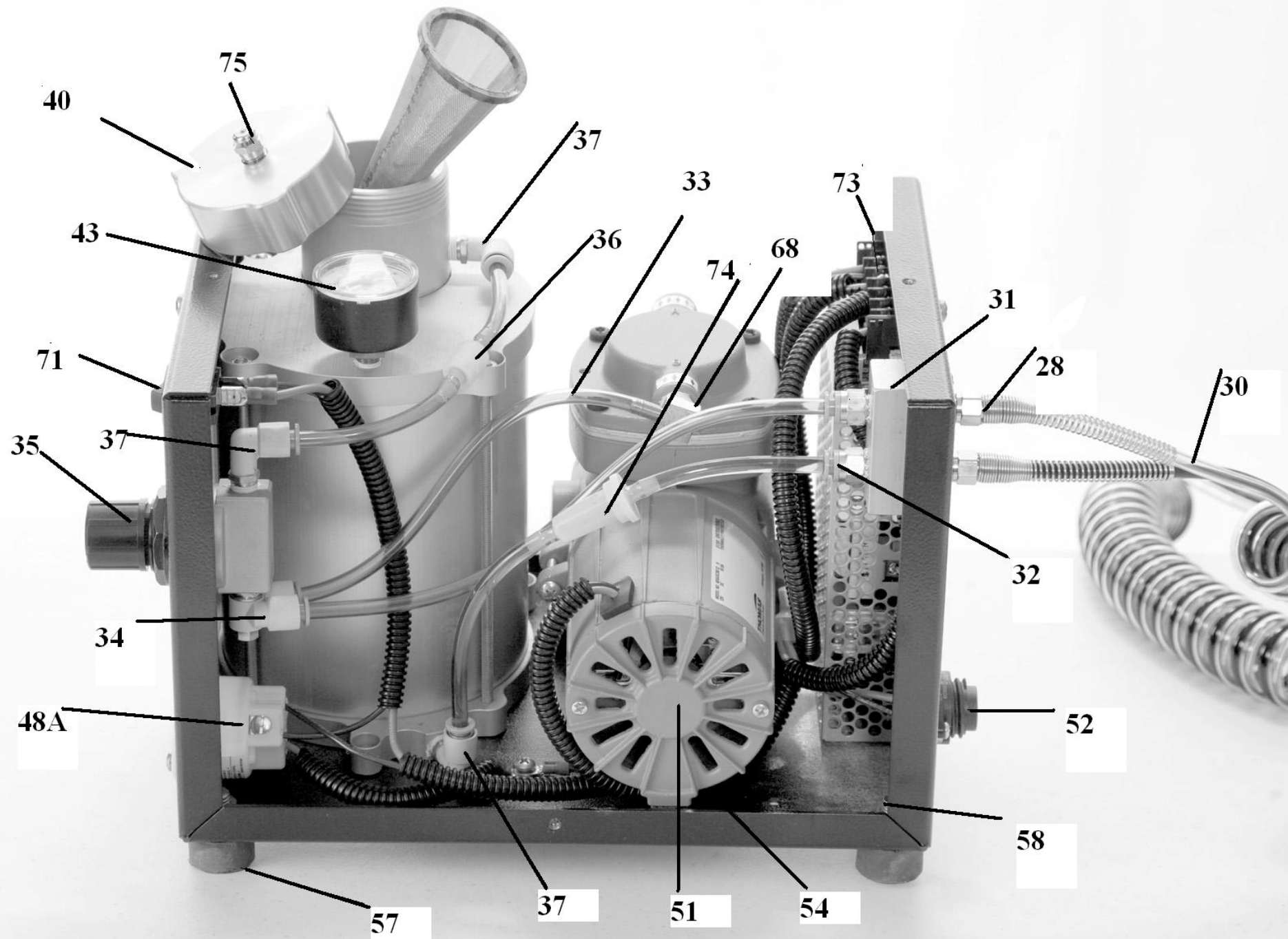
**Unifix USA, LLC**

Unifix USA, LLC  
 Derry, NH  
 1(800) -4UNIFIX

SIZE	DWG. NO.	REV
<b>B</b>	<b>WAND ASSEMBLY</b>	<b>1.0</b>

SCALE: NTS SHEET 1 OF 1

8 7 6 5 4 3 2 1



Sheet1

<b>ITEM #</b>	<b>PART #</b>	<b>DESCRIPTION</b>
31	UFX-100-31	MANIFOLD CONNECTOR BLOCK
32	UFX-100-32	PUSH CONNECT STRAIGHT
33	UFX-100-33	¼ POLY TUBING 95 DUROMETER
34	UFX-100-34	3 WAY PORT WITH DUAL PUSH TO CONNECT
35	UFX-100-35	REGULATOR WITH MOUNTING NUT
36	UFX-100-36	CHECK VALVE
37	UFX-100-37	ELBOW PUSH TO CONNECT
38	UFX-100-38	TANK ASSEMBLY COMPLETE
40	UFX-100-40	CAP WITH PRESSURE RELIEF
41	UFX-100-41	INTERNAL CAP GASKET
42	UFX-100-42	EXTRNAL TANK KNECK O-RING (SAME AS MICRO CAP O-RING)
43	UFX-100-43	PRESSURE GAUGE
44	UFX-100-44	PRESSURE GAUGE TRIM MOULDING (BLACK PLASTIC)
46	UFX-100-46	BOX HANDLE (BLACK)
47	UFX-100-47	BOX HANDLE SCREWS
48	UFX-100-48A	ORIGINAL PATRIOT MALE FLANGED OUTLET (WHITE)
	UFX-100-48B	NEW PATRIOT NINJA MALE FLANGED ELECTRICAL OUTLET (BLACK)
49	UFX-100-49	INTERNAL ELECTRICAL WIRING HARNESS
50	UFX-100-50A	COMPRESSOR COMPLETE ORIGINAL PATRIOT 110V
	UFX-100-50B	COMPRESSOR COMPLETE ORIGINAL PATRIOT 220V
	UFX-100-50C	NEW PATRIOT NINJA COMPRESSOR
51	UFX-100-51	CAPACITOR FOR ORIGINAL PATRIOT COMPRESSOR 110V/220V
52	UFX-100-52	DC BATTERY CONNECTOR
54	UFX-100-54A	COMPRESSOR SHOCKMOUNTS ORIGINAL PATRIOT 110V/220V
	UFX-100-54B	COMPRESSOR SHOCKMOUNTS PATRIOT NINJA
55	UFX-100-55A	SHOCK MOUNT NUTS W/LOCK WASHERS ORIGINAL PATRIOT 110/220
	UFX-100-55B	SHOCK MOUNT NUTS W/LOCK WASHERS PATRIOT NINJA
56	UFX-100-56	GROUND SCREW W/LOCK WASHER
57	UFX-100-57	FOOT BUMPERS
58	UFX-100-58	FOOT BUMPER NUTS/WASHERS
59	UFX-100-59	COMPRESSOR INTAKE MUFFLER ORIGINAL PATRIOT 110/220
60	UFX-100-60	CARRY STRAP
62	UFX-100-62A	COMPLETE BOX ORIGINAL PATRIOT 110V/220V
	UFX-100-62B	COMPLETE BOX NEW PATRIOT NINJA
63	UFX-100-63A	PATRIOT BASE ORIGINAL 110V/220V
	UFX-100-63B	PATRIOT BASE NEW PATRIOT NINJA
64	UFX-100-64A	PATRIOT COVER ORIGINAL 110V/220V
	UFX-100-64B	PATRIOT COVER PATRIOT NINJA MODEL
65	UFX-100-65	PATRIOT BOX SCREWS 8/32 STAINLESS
67	UFX-100-67	CARRY STRAP SCREWS 10/32 STAINLESS
68	UFX-100-68	COMPRESSOR ¼ COMPRESSION FITTING FOR AIR LINE
69	UFX-100-69	CIRCUIT BOARD POWER SUPPLY COMPLETE PATRIOT NINJA ONLY
70	UFX-100-70	TANK SCREEN
71	UFX-100-71	TOGGLE SWITCH OFF/ON
72	UFX-100-72	HANDLE CATCH PIN
73	UFX-100-73	DC BATTERY CONNECTOR
74	UFX-100-74	70 MICRON INTERNAL FILTER
75	UFX-100-75	PRESSURE RELIEF VALVE